

Catalogue No.
AEA / 1022

**Hand Lever / Worm Gear Operated
Triple Offset "WAFFER TYPE"
Butterfly Valve 150# (Fire Safe Design)**



"aira" offers Manual Worm Gear / Lever Operated Off - Set Disc Butterfly Valve in Wafer & Double Flange Construction engineered for multiply ON / OFF Operation in the large Pipe line and full flow down Stream.

Size Range : 2" to 12" (150#)

Standard

Design And Manufacturing : API 609
Valve Face to Face Dimensions : API 609 Category "B"
Flange Standard Conformity : ASME / ANSI B 16.5 Class 150
Inspection & Testing : API 598
Leakage Class : ASME B 16, 16.104 Leakage Class VI

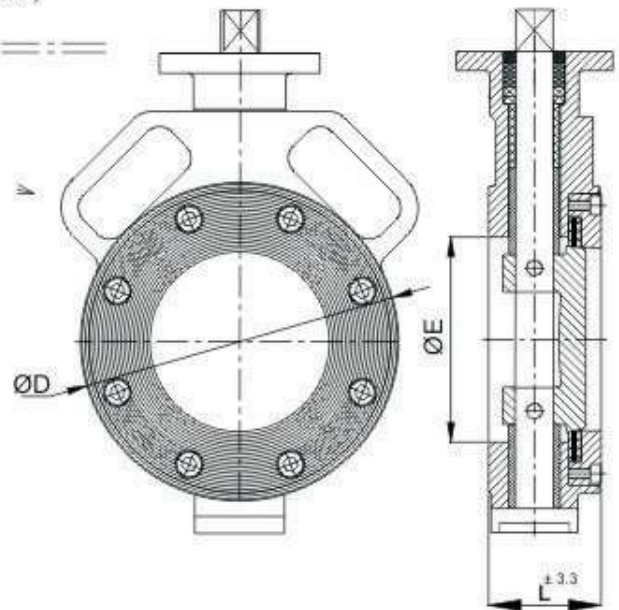
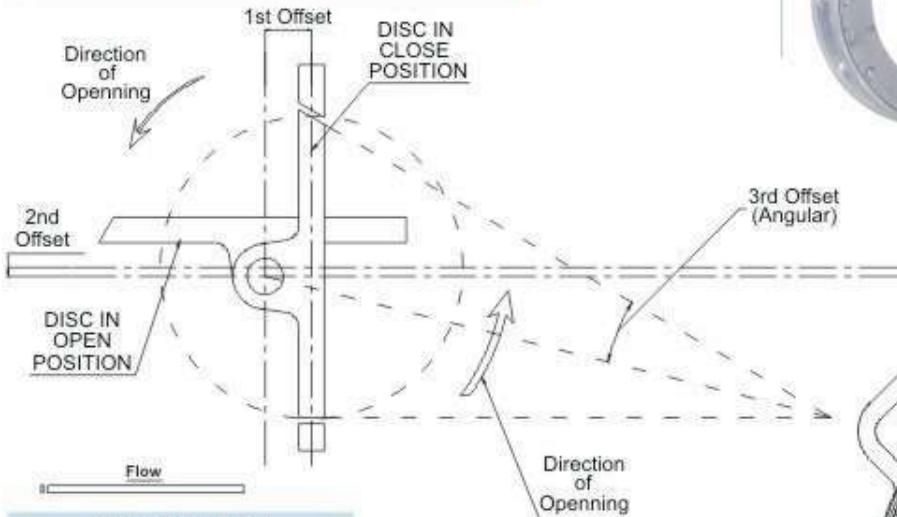
Pressure / Temperature Rating

Pressure : As Per 150# B16.34
Temperature : 550 °C (Above 550 °C On Request)



609 - 0055

Fire Safe Design



VALVE TORQUE 150#

Valve Size	5 Bar	10 Bar	20 Bar
MM Inch	N - m	N - m	N - m
50 2"	11	15	21
65 2.1/2"	20	28	38
80 3"	38	43	63
100 4"	50	58	80
125 5"	73	100	144
150 6"	113	144	181
200 8"	175	219	350
250 10"	294	331	375
300 12"	400	450	625

CV Values

Valve Size	10°	20°	30°	40°	50°	60°	70°	80°	90°
MM Inch									
50 2"	2	5	11	19	28	41	58	77	85
65 2.1/2"	2	9	20	28	45	60	80	120	130
80 3"	3	10	22	42	64	96	150	157	160
100 4"	6	17	41	75	116	174	273	284	290
125 5"	6	45	75	170	280	478	650	707	795
150 6"	7	51	119	221	340	510	799	833	850
200 8"	4	103	239	445	684	1026	1607	1676	1710
250 10"	50	151	353	655	1008	1515	2369	2470	2520
300 12"	79	236	552	1024	1576	2364	3704	3861	3940

Dimensions : (All Dimensions are in mm)

Valve Model	Valve Size	L	ØD	ØE
	MM Inch			
SDVTDB - 50	50 2"	47	95	50.8
SDVTDB - 65	65 2.1/2"	52	108	60.6
SDVTDB - 80	80 3"	52	127	72
SDVTDB - 100	100 4"	57	159	100
SDVTDB - 125	125 5"	60	186	123
SDVTDB - 150	150 6"	60	217	143
SDVTDB - 200	200 8"	67	270	192
SDVTDB - 250	250 10"	72	322	239
SDVTDB - 300	300 12"	75	382	290

